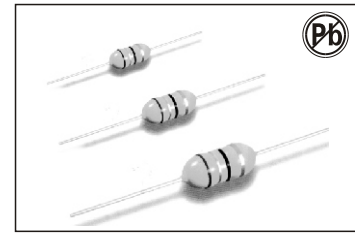


# THROUGH-HOLE AXIAL CONFORMAL COATED INDUCTORS

## FALGA-0204 SERIES



### FEATURES:

Magnetic Core  
Wire-wound construction  
Heat resistant epoxy resin  
High reliability Ideal for automatic insertion  
Small size Low Cost

### OPTIONS:

Packaging: Tape & Reel is Standard  
(Qty: 5000 pcs)  
Bulk packaging available for smaller quantities  
Tolerance:10% is standard,  
tighter tolerances available.

### COMMON APPLICATIONS:

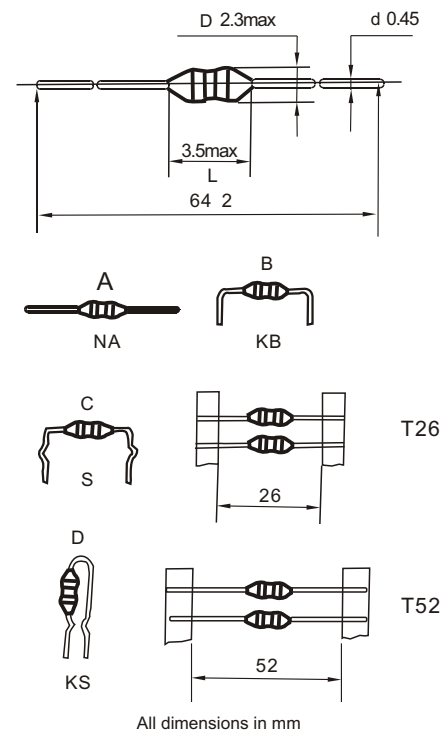
VCRs  
Automotive Systems  
Computer Peripheral Equipment  
Televisions  
Electronic Games  
Mobile Communications Equipment  
General Electronic Applications

### STANDARD SPECIFICATIONS

Part Number	L (H)	Td %	Q min	L Test Freq (MHz)	S.R.F (MHz)	R <sub>oc</sub> (Max)	I <sub>bc</sub> (mA)
FALAG0204-R22K	0.22	20	35	25.2	150	0.40	400
FALAG0204-R27K	0.27	20	35	25.2	150	0.43	380
FALAG0204-R33K	0.33	20	35	25.2	150	0.48	370
FALAG0204-R39K	0.39	20	35	25.2	150	0.51	350
FALAG0204-R47K	0.47	20	35	25.2	150	0.56	330
FALAG0204-R56K	0.56	20	35	25.2	150	0.61	320
FALAG0204-R68K	0.68	20	35	25.2	150	0.67	310
FALAG0204-R82K	0.82	20	35	25.2	150	0.74	290
FALAG0204-1R0K	1.0	20	35	25.2	150	0.80	270
FALAG0204-1R2K	1.2	20	40	7.96	110	0.90	260
FALAG0204-1R5K	1.5	20	40	7.96	80	1.0	250
FALAG0204-1R8K	1.8	20	40	7.96	60	1.1	240
FALAG0204-2R2K	2.2	20	40	7.96	45	1.2	230
FALAG0204-2R7K	2.7	20	40	7.96	40	1.3	220
FALAG0204-3R3K	3.3	10	40	7.96	38	1.4	210
FALAG0204-3R9K	3.9	10	40	7.96	35	1.5	200
FALAG0204-4R7K	4.7	10	40	7.96	32	1.6	190
FALAG0204-5R6K	5.6	10	40	7.96	30	1.7	180
FALAG0204-6R8K	6.8	10	40	7.96	28	1.9	175
FALAG0204-8R2K	8.2	10	40	7.96	26	2.0	165
FALAG0204-100K	10	10	40	7.96	24	2.2	160
FALAG0204-120K	12	10	40	25.2	22	2.5	150
FALAG0204-150K	15	10	40	25.2	20	2.8	145
FALAG0204-180K	18	10	40	25.2	18	3.1	140
FALAG0204-220K	22	10	40	25.2	17	3.4	130
FALAG0204-270K	27	10	40	25.2	16	4.3	80
FALAG0204-330K	33	10	40	25.2	14	4.7	76
FALAG0204-390K	39	10	40	25.2	13	5.2	74
FALAG0204-470K	47	10	40	25.2	12	5.8	70
FALAG0204-560K	56	10	40	25.2	11	6.4	68
FALAG0204-680K	68	10	40	25.2	10	7.2	64
FALAG0204-820K	82	10	40	25.2	9.5	11	46
FALAG0204-101K	100	10	40	25.2	9	12	44
FALAG0204-121K	120	10	40	0.796	8	13	42
FALAG0204-151K	150	10	40	0.796	6	16	39
FALAG0204-181K	180	10	40	0.796	5.5	18	37
FALAG0204-221K	220	10	40	0.796	5	20	35
FALAG0204-271K	220	10	40	0.796	4.6	26	28
FALAG0204-331K	220	10	40	0.796	4.2	30	26
FALAG0204-391K	220	10	40	0.796	3.8	34	25
FALAG0204-471K	220	10	40	0.796	3.5	38	24

Note:1. K= 10%,M= 20%

### PHYSICAL CHARACTERISTICS



### TECHNICAL INFORMATION:

1 Ordering Code  
 FALGA 04 10 KB - 101 K T52  
 (1) (2) (3) (4) (5) (6) (7)

- (1) Type
- (2) Outside
- (3) Body Length
- (4) Formed Type
- (5) Nominal Inductance
- (6) Inductance Tolerance
- (7) Tape Type

Testing:(Equivalent acceptable)

Inductance-Hp 4285A  
 RDC:QuadTech 1880 Milliohmmer  
 Q-HP 4342A  
 SRF-HP 4191A

IDC Max:The maximum DC value having inductance decrease within 10% and temperature increase within 20 by the application of DC Bias

Operating temperature:-25 to +105

Storage temperature:-40 to + 85

Solderability:Temperature @ 230 5 for 2 seconds

Marking:EIA 4 band color code.

Note: All specifications subject to change without notice.