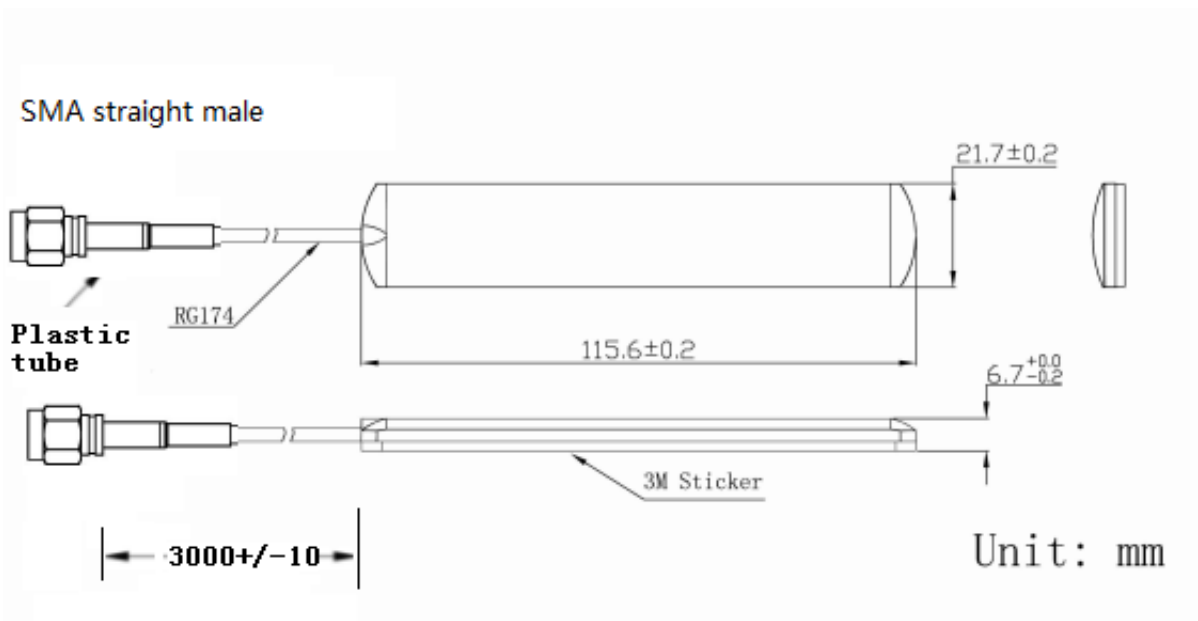


5G NR Antenna JCG017NR



DIMENSIONS





SPECIFICATIONS

Item		Specifications
Antenna	Frequency Range	617~960/1710~2690/3300~3800/4400~4900MHz
	Polarization	Linear
	Gain	2.0dBi (Zenith)
	V.S.W.R	<3.0
	Impedance	50 Ω
	PCB Dimension	104.6*18*1mm
Mechanical	Cable	LMR100 or others
	Connector	FAKRA/SMA or others
	Radome Material	ABS
	Mounting Method	Adhesive
Environmental	Operating Temperature	-40℃~+85℃
	Relative Humidity	Up to 95%
	Vibration	10 to 55Hz with 1.5mm amplitude 2hours
	Environmentally Friendly	ROHS Compliant

Zhejiang JC Antenna Co.,Ltd

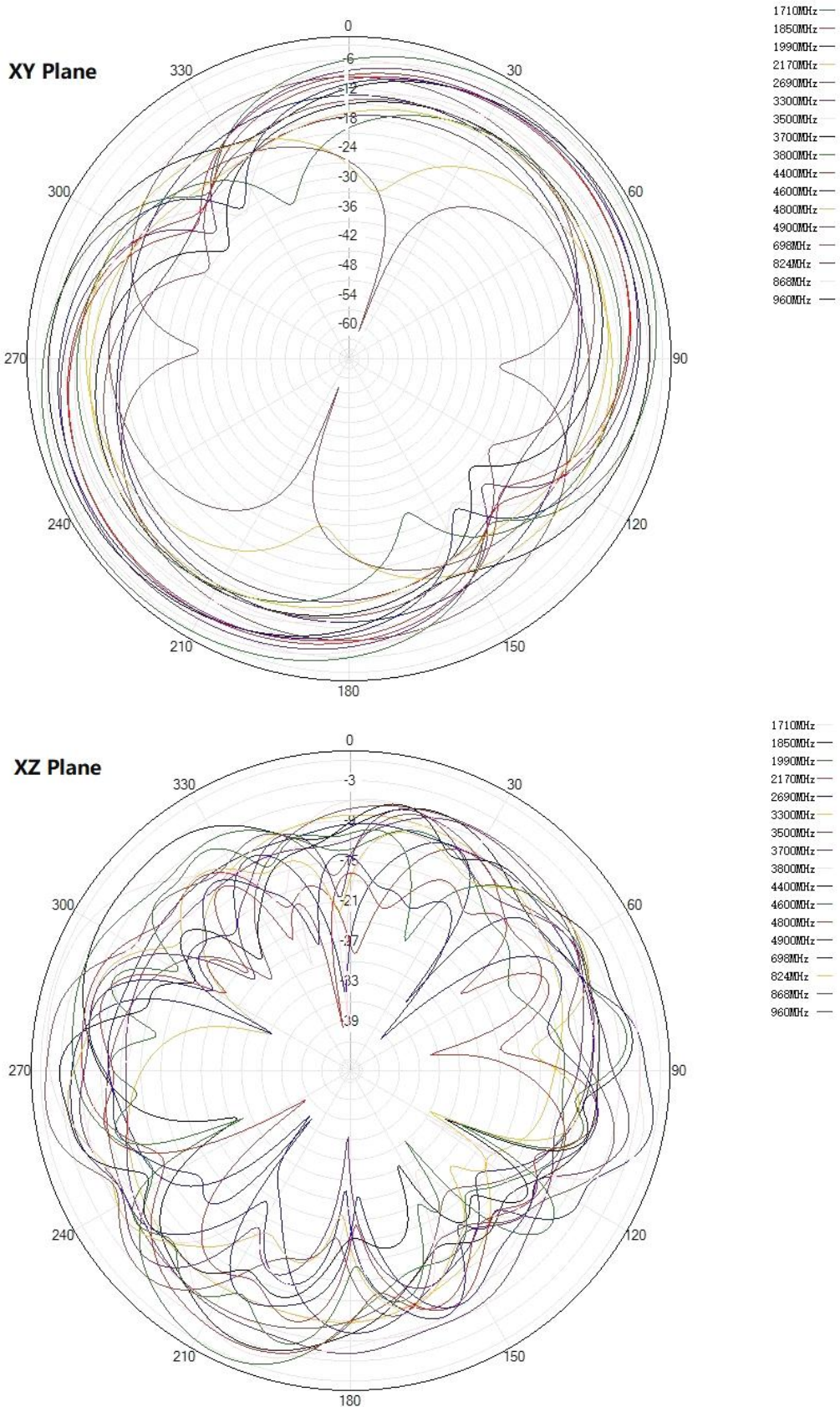
Add: 398#,Zhenye Road, South Street, Jiaying, Zhejiang, China

Http:// www.jinchanggps.com

E-mail: sale8@jinchanggps.com

Tel: 86-0573-83692157/83692605/83958637 Fax:86-0573-83958635

Radiation Pattern



Zhejiang JC Antenna Co.,Ltd

Add: 398#,Zhenye Road, South Street, Jiaying, Zhejiang, China

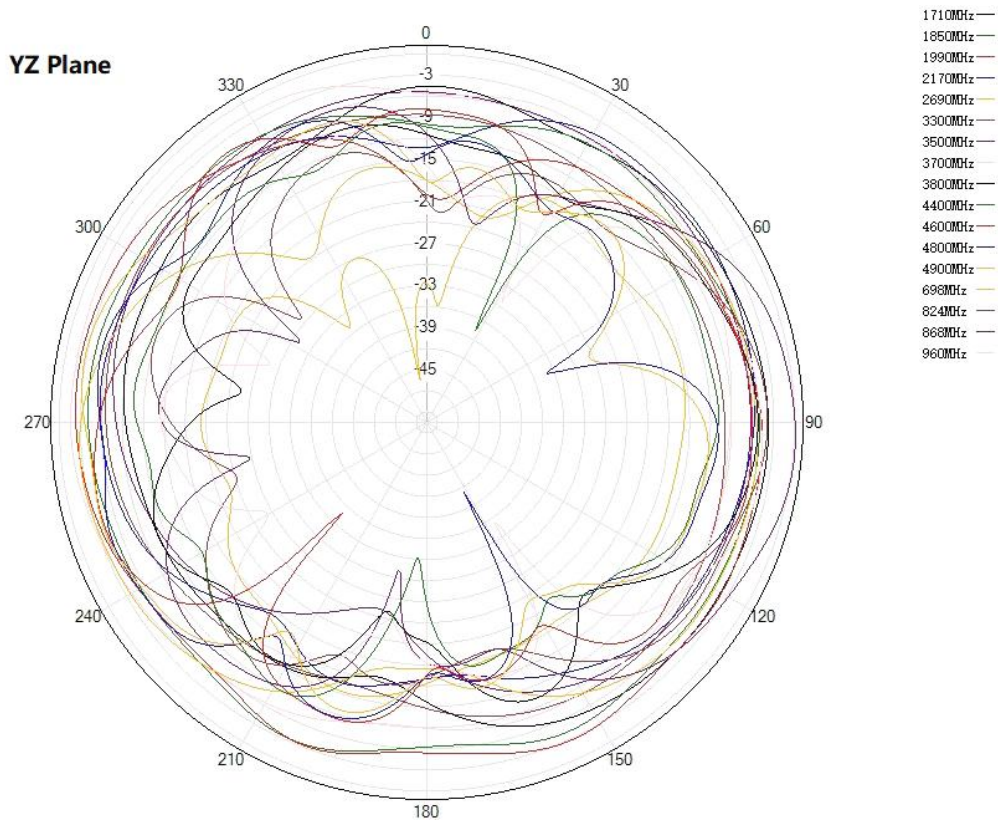
Http:// www.jinchanggps.com

E-mail: sale8@jinchanggps.com

Tel: 86-0573-83692157/83692605/83958637 Fax:86-0573-83958635



Jinchang Electron Global Service



Zhejiang JC Antenna Co.,Ltd

Add: 398#,Zhenye Road, South Street, Jiaxing, Zhejiang, China

Http:// www.jinchanggps.com

E-mail: sale8@jinchanggps.com

Tel: 86-0573-83692157/83692605/83958637 Fax:86-0573-83958635