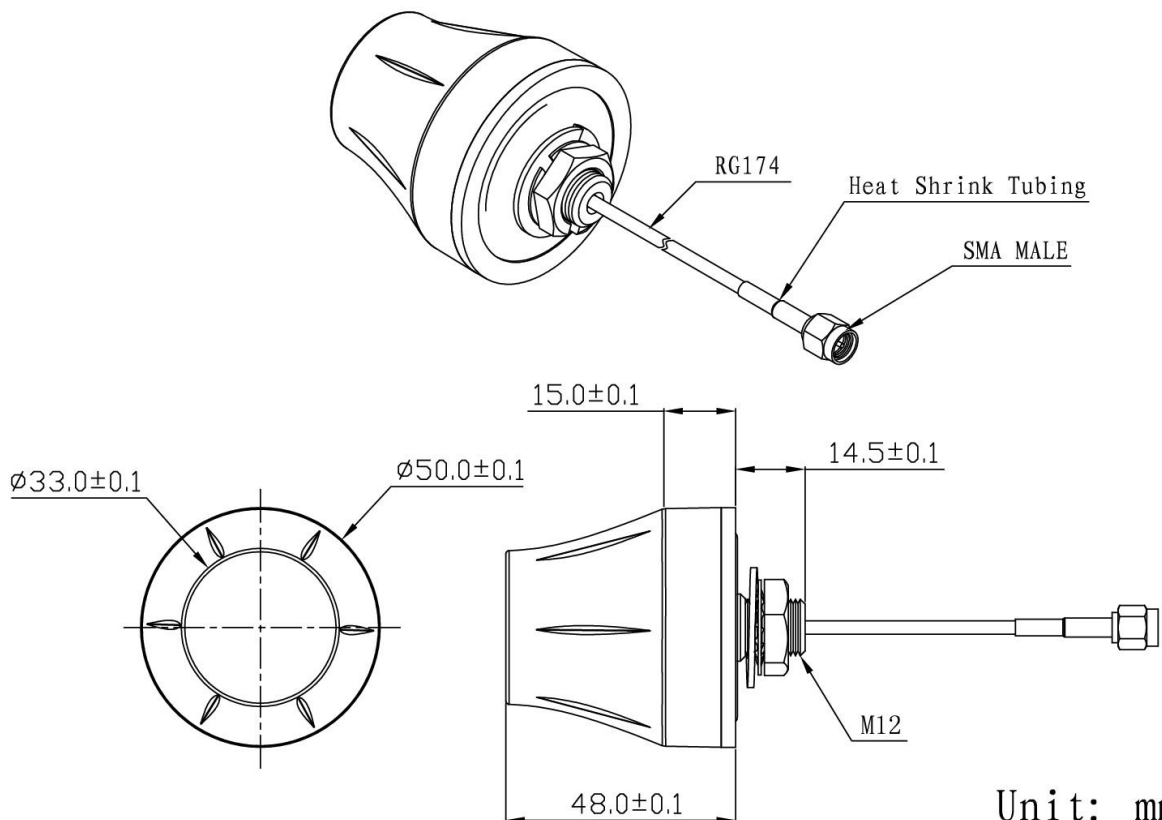


GSM/3G/4GLTE Antenna

JCG058L



DIMENSIONS



Unit: mm

Zhejiang JC Antenna Co.,Ltd

Add: 398#, Zhenye Road, South Street, Jiaxing, Zhejiang, China

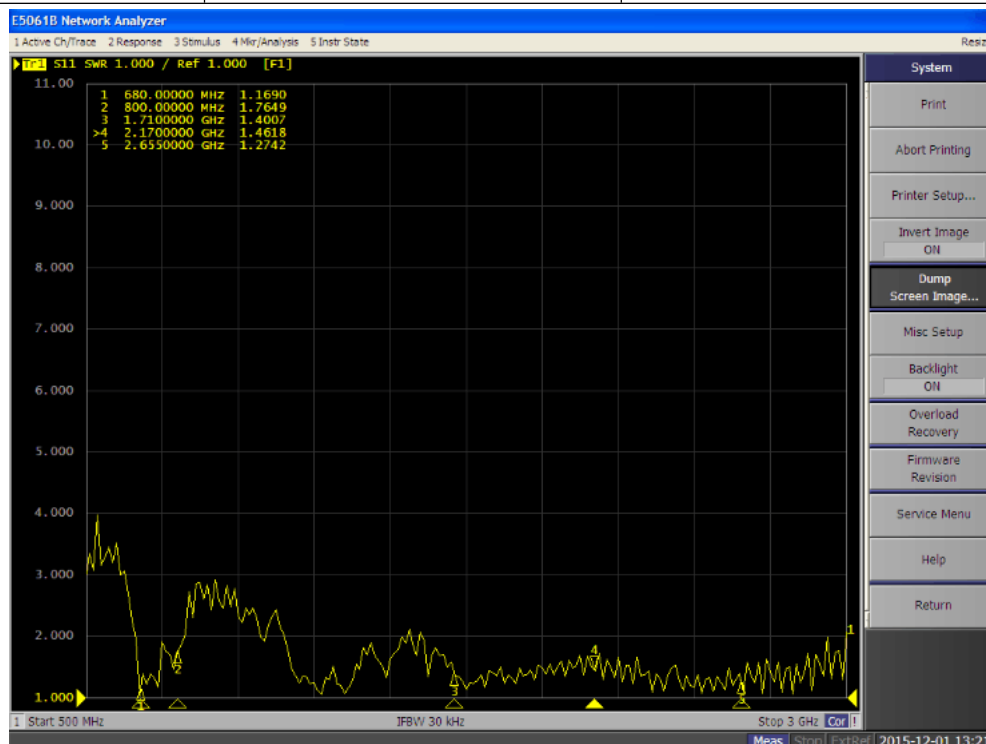
Http:// www.jinchanggps.com

E-mail: sale8@jinchanggps.com

Tel: 86-0573-83692157/83692605/83958637 Fax: 86-0573-83958635

SPECIFICATIONS

Item	Specifications	
Antenna	Frequency Range	700~960/1710~2700MHz
	Polarization	Linear
	Gain	2dBi (Zenith)
	V.S.W.R	<3.0
	Impedance	50 Ω
Mechanical	Cable	RG174
	Connector	SMA or others
	Radome Material	ABS
	Mounting Method	Screw
Environmental	Operating Temperature	-40°C~+85°C
	Relative Humidity	Up to 95%
	Ingress Protection	IP67
	Vibration	10 to 55Hz with 1.5mm amplitude 2hours
	Environmentally Friendly	ROHS Compliant



Zhejiang JC Antenna Co.,Ltd

Add: 398#, Zhenye Road, South Street, Jiaxing, Zhejiang, China

Http:// www.jinchanggps.com

E-mail: sale8@jinchanggps.com

Tel: 86-0573-83692157/83692605/83958637 Fax: 86-0573-83958635