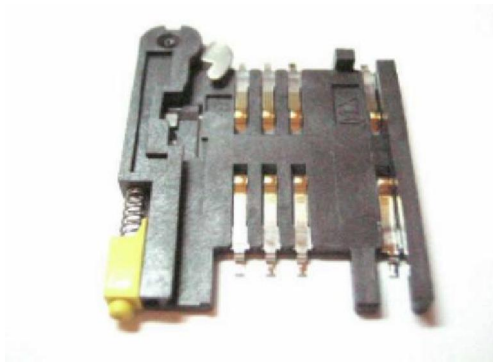


# Sim Socket Specification

Model: KF016 drawer type



**Cixi Yexin Electronics Factory**  
**Xiamen Cheer Imp & Exp Co., Ltd.**  
**Contact: Jennifer Song**  
**Tel: 86 13599545657**

## 1. Introduction

### 1.1 General

This SIM card connector is used together with SIM card that is compliant with ISO7816 standard. It is designed for high performance and flexibility to give customers a quick and perfect application for their products.

### 1.2 Features

- Ø Drawer type, side- ejected, with detective switch
- Ø Good contact effect, compact size, easy to mount
- Ø Number of contacts: 6+2 pins or 8+2 pins (optional)
- Ø Simple operation, when you insert SIM card, just place it into the drawer and push gently the drawer along the holder with the contact surface facing the PCB circuit. To take out the SIM card, just press the yellow lever, SIM card will eject along the groove.
- Ø Compliant with GSM11.11

### 1.3 Application

- Ø Access Control Terminals
- Ø POS machines
- Ø Telecommunication
- Ø Wireless communication system
- Ø Other identification recognition systems

## 2. Technical Characteristics

### 2.1 General Characteristics:

Item	Standard	Description
Dimension		31Lx25Wx3H mm
Weight		5.2g
Contact principle		Landing technology
Durability		>10000 cycles

### 2.2 Electrical Characteristics: According to standard IEC512:

Item	Standard	Description
<b>2.2.1 Contacts:</b>		
Number of contacts		6pin or 8pin, +2 switches
Contact resistance	IEC512-2-2a	60m
Insulation resistance pin to pin	IEC512-2-3a	>1000M /500Vdc
Rated voltage		5V
Rated current		1A max, 10 $\mu$ Amin.
Dielectric withstanding voltage	IEC512-2-4a	>500V AC R.M.S for one minute, no voltage breakdown

### 2.3 Mechanical Characteristics :

Item	Standard	Description
Contact force		0.2N~0.6N
Contact location	ISO 7816-2	
<b>Contacts area:</b>		
Material		65-0.4Y-0.15
Electroplate		Gold over Nickel 15 microinch gold plated in contact area
Insulator		Thermoplastic

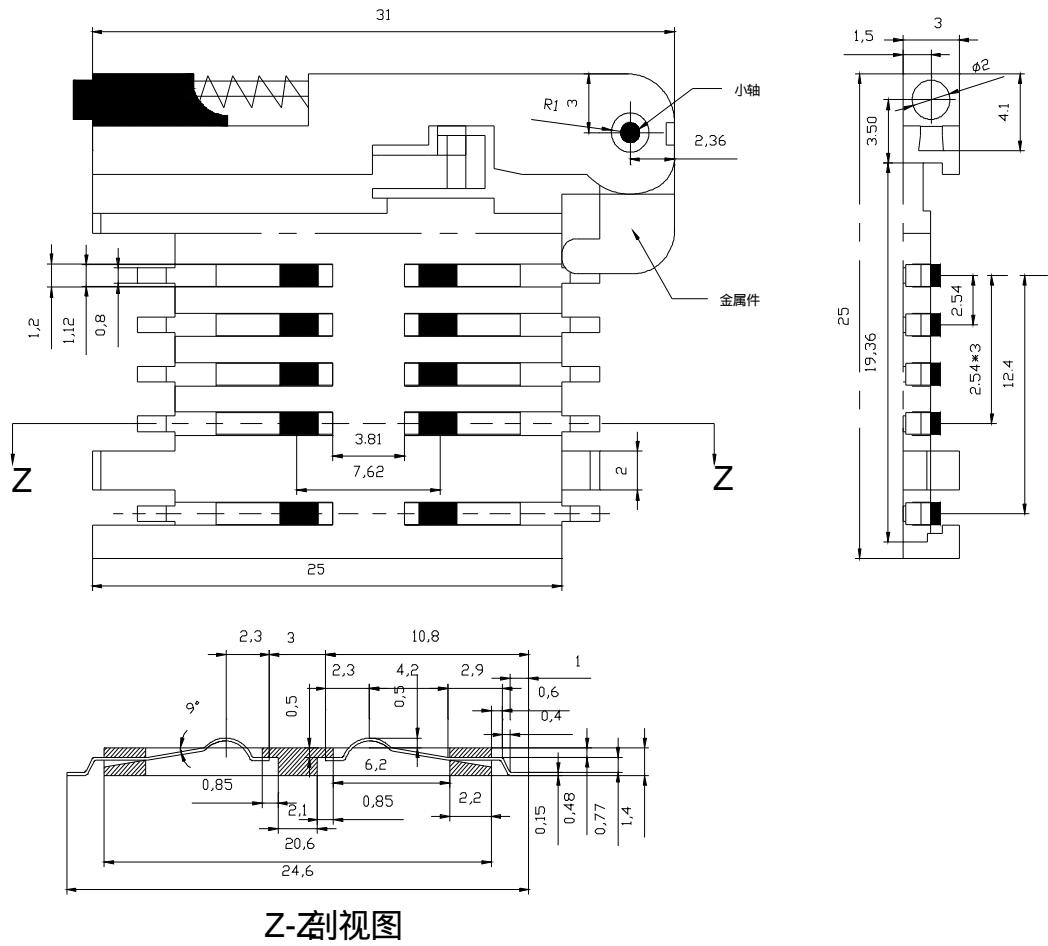
### 2.4 Solderability:

Item	Standard	Description
Wave		Not applicable
IR reflow		260 ,8-10sec.Max
Iron soldering	IEC68-2-20	330 ,3sec.Max

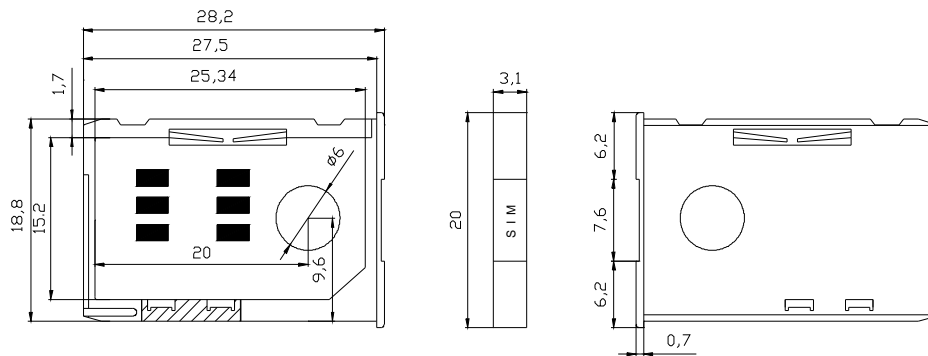
### 2.5 Environmental Characteristics According to standard IEC68:

Item	Standard	Description
Operating temperature		-40 ~+85
Operating humidity		10%~95%RH
Storage temperature		-40 ~+85
Storage humidity		10%~95%RH
Salt spray testing	IEC68-2-11	35 ,5%NaCL,48h

### 3. Mechanical Outline Drawing



Z-Z perspective



### The( drawer ) size of blind flange

