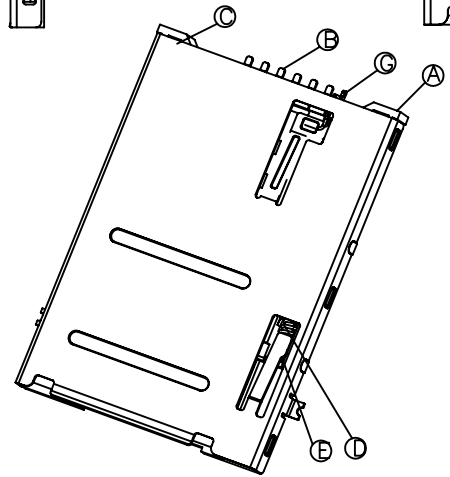
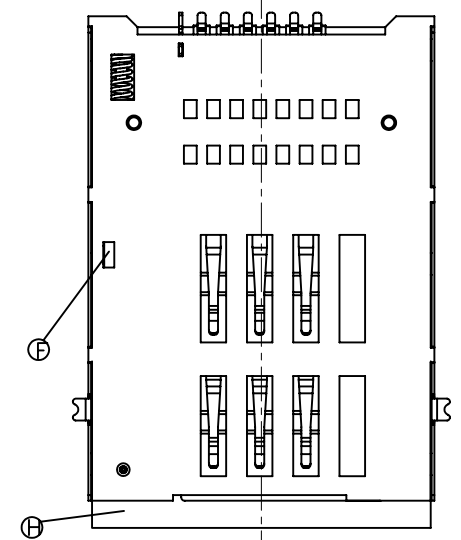
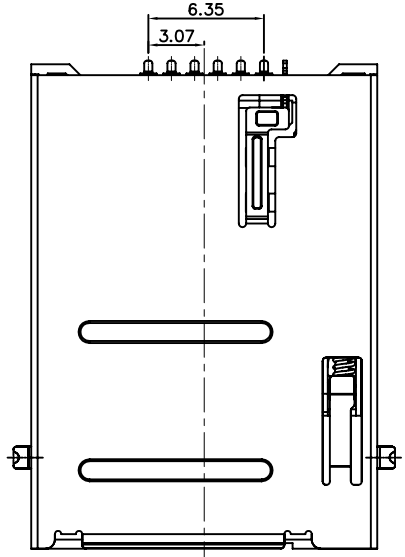
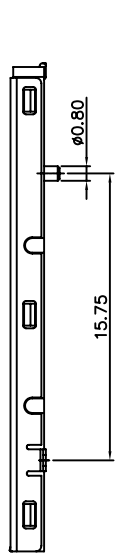
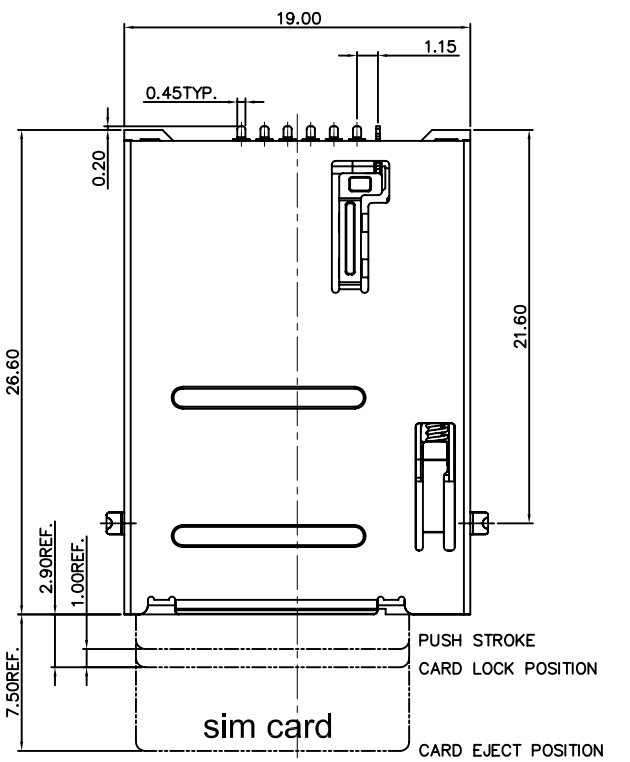
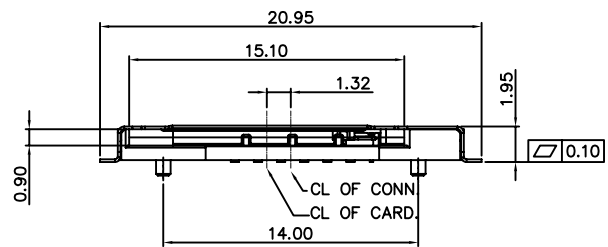


REV	DATE	ECN NO.	MODIFICATION	APPROVER
A	2016/05/10		NEW	Jason_Lee

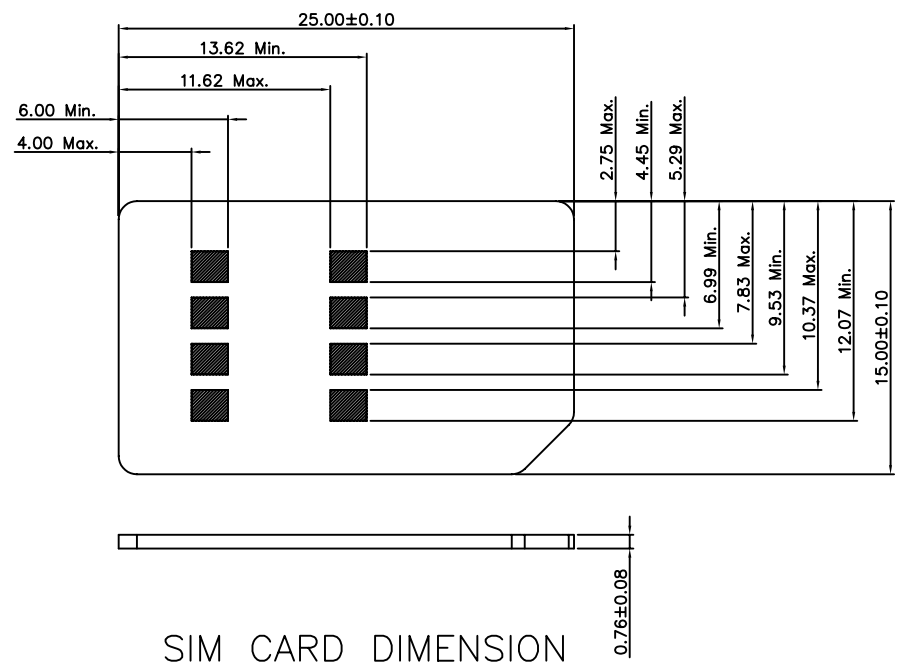
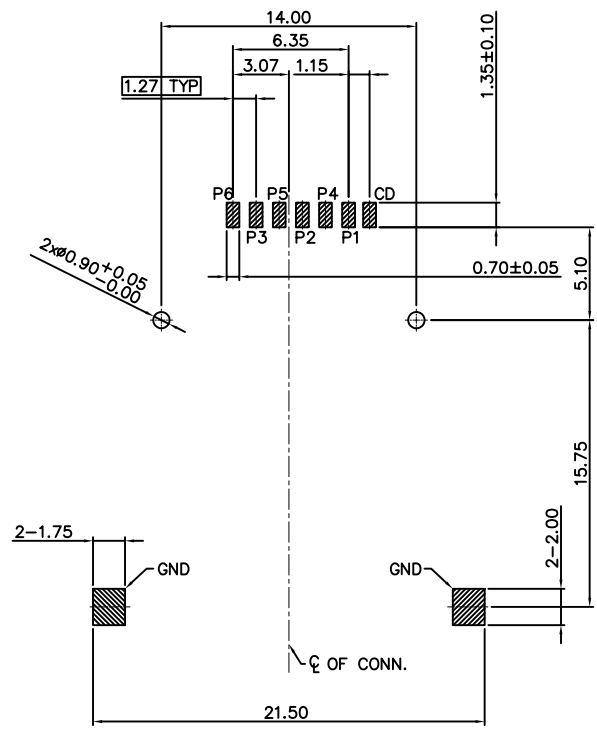


- Material:
 - Insulator: HIGH TEMP. PLASTIC, rated UL94V-0,color:black.
 - Terminal: Copper Alloy,Tin 100u" Min. at Solder Tail,Selected Gold on Contact Area Plating.
 - Terminal: Copper Alloy,Tin 100u" Min. at Solder Tail,Selected Gold on Contact Area Plating.
 - Shell: Stainless Steel.
Over Nickel Plated(50~80u"),Gold/Flash at Solder Tail.
- Mechanical and Electrical performance:
 - Mating Cycles: 5000 cycles(speed:400~600 cycles/h).
 - Rating current:0.5A Max.
 - Insulation resistance: 100MΩ Min. at 500 V DC.
 - Terminal contact resistance: 100mΩ Max.
 - Withstanding voltage:500V AC at 1mA Max. for 1 minute.
- Environment performance:
 - Operating temperature: -20℃~ +70℃
 - Storage temperature: -40℃~ +85℃



GENERAL TOLERANCE		UNITS	NAME:	PUSH PUSH TYPE SIM CARD		
SELECT	TOL.	mm	PART NO:	SIM CARD 6P PUSH PUSH MOLDING TYPE		
ON.	1 2 3	MAT'L	APPD:	JASON		
X.XXX	±0.10±0.05±0.15	FINISH	CHKD:	JACK		
X.XX	±0.15±0.13±0.25	Q'TY	DR:	XH		
X.X	±0.20±0.25±0.5					
X.	±0.30±0.35±1.00					
ANGLE	±2'					
			DWG NO.		ATOM-A02982	
			SCALE		SHEET	
			1:1		1/2	
			REV		A	

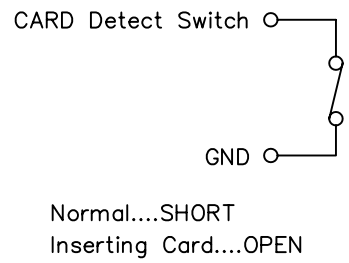
ATOM 深圳市爱特姆科技有限公司
SHENZHEN ATOM TECHNOLOGY CO.,LTD.



PIN ASSIGNMENTS

Connector terminal NO.	Pin NO.
Pin 1	VCC: PWR signal and GND
Pin 2	RST: Reset signal
Pin 3	CLK: Clocking signal
Pin 4	GND: PWR signal and GND
Pin 5	VPP: programming Voltage
Pin 6	I/O : serial date input/output

SIM CARD 6P



⊕	DUMMY CARD	HIGH TEMP. PLASTIC	1 PCS	With or without
⊙	CD TERMINAL	COPPER ALLOY	1 PCS	
⊖	SLIDER	HIGH TEMP. PLASTIC	1 PCS	
⊗	HOOK	STAINLESS STEEL	1 PCS	
⊘	SPRING	SWP	1 PCS	
⊚	SHELL	STAINLESS STEEL	1 PCS	
⊛	TREMINAL	COPPER ALLOY	6 PIN	
⊜	HOUSING	HIGH TEMP. PLASTIC	1 PCS	
ITEM	PART NAME	MATERIAL	Q'TY	REMARK

GENERAL TOLERANCE		UNITS	NAME:	PUSH PUSH TYPE SIM CARD		
SELECT	TOL.	mm	PART NO:	SIM CARD 6P MOLDING TYPE		
ON.	1 2 3		SI27C-01***	TITLE:		
X.XXX	±0.10±0.05±0.15		APPD:	JASON	DWG NO. ATOM-A02982	
X.XX	±0.15±0.13±0.25		CHKD:	JACK	SCALE SHEET REV	
X.X	±0.20±0.25±0.5		DR:	XH	1:1	2/2 A
X.	±0.30±0.35±1.00					
ANGLE	±2'					

ATOM 深圳市爱特姆科技有限公司
SHENZHEN ATOM TECHNOLOGY CO., LTD.