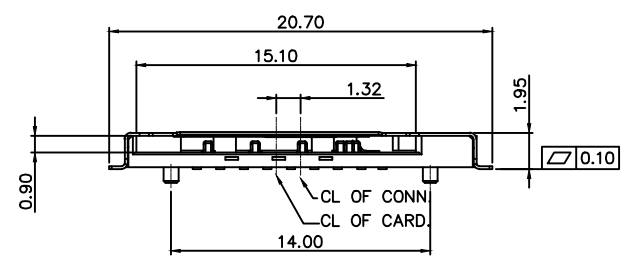
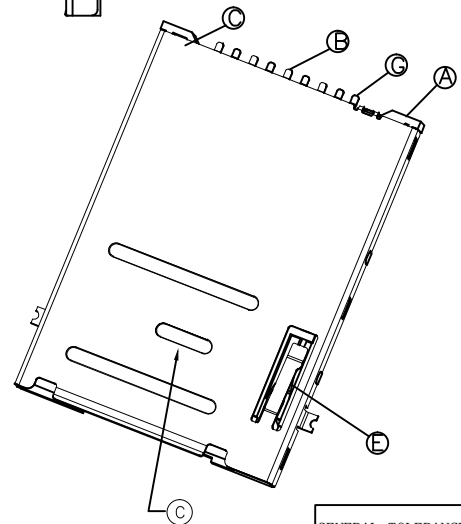
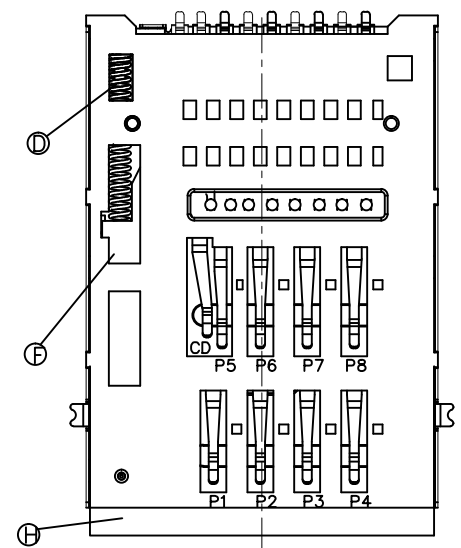
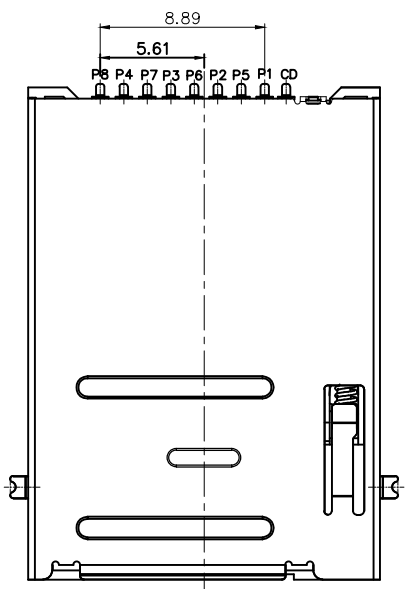
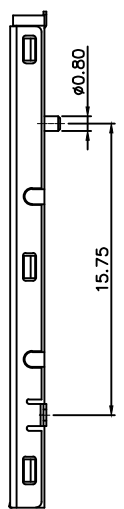
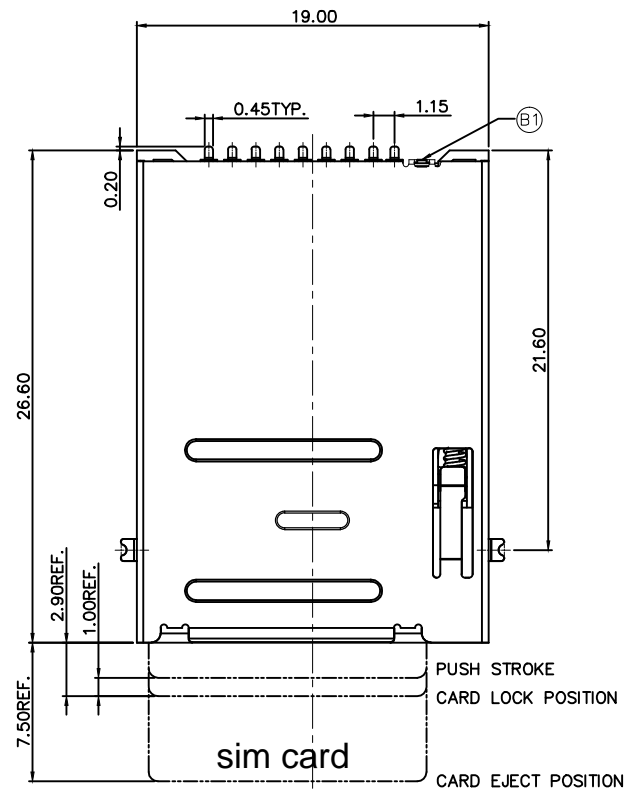
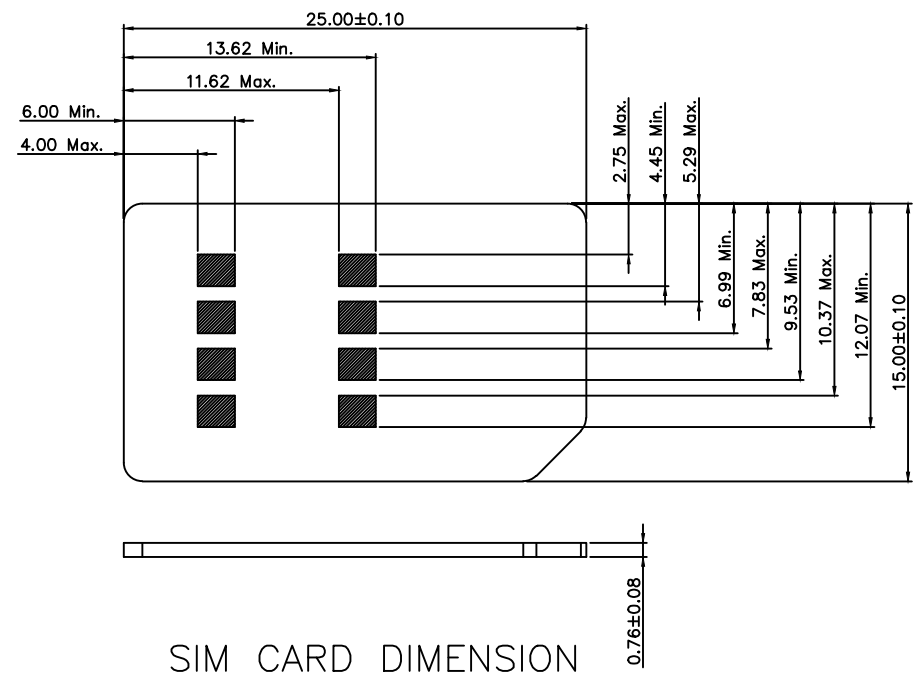
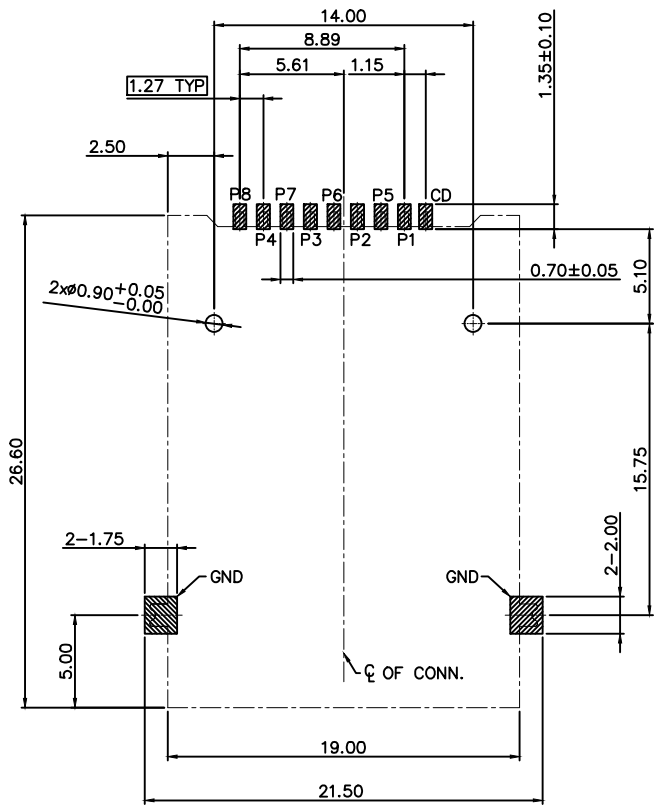


5	6	7	8
REV	DATE	ECN NO.	MODIFICATION
A0	2019/12/18		修改结构新增款
			APPROVER
			JASON



- Material:
  - 1.1 Insulator: HIGH TEMP. PLASTIC, rated UL94V-0,color:black.
  - 1.2 Terminal: Copper Alloy,Tin 100u" Min. at Solder Tail,Selected Gold on Contact Area Plating.
  - 1.3 Terminal: Copper Alloy,Tin 100u" Min. at Solder Tail,Selected Gold on Contact Area Plating.
  - 1.4 Shell: Stainless Steel.  
Over Nickel Plated(50~80u"),Gold/Flash at Solder Tail.
- Mechanical and Electrical performance:
  - 2.1 Mating Cycles: 5000 cycles(speed:400~600 cycles/h).
  - 2.2 Rating current:0.5A Max.
  - 2.3 Insulation resistance: 100MΩ Min. at 500 V DC.
  - 2.4 Terminal contact resistance: 100mΩ Max.
  - 2.5 Withstanding voltage:500V AC at 1mA Max. for 1 minute.
- Environment performance.
  - 3.1 Operating temperature: -40℃~ +85℃
  - 3.2 Storage temperature: -5℃~ +40℃

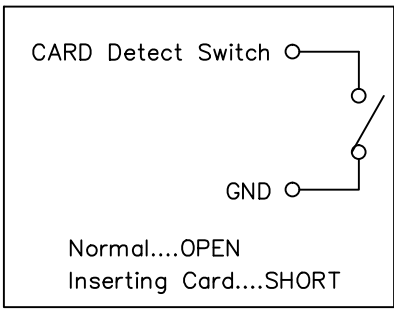
GENERAL TOLERANCE			UNITS	NAME: PUSH PUSH TYPE SIM CARD		ATOM® 深圳市爱特姆科技有限公司 SHENZHEN ATOM TECHNOLOGY CO., LTD.		
SELECT	✓		mm	PART NO: SI28C-01201		TITLE: SIM CARD 8P PUSH PUSH MOLDING TYPE (端子一体式)		
TOL.	1	2	MAT'L	APPD: JASON		DWG NO. ATOM-A04865		
ON.			FINISH	CHKD: JACK		SCALE SHEET REV		
X.XXX	±0.10	±0.05	Q'TY	DR: Abel		1:1 1/2 A0		
X.XX	±0.15	±0.13						
X.X	±0.20	±0.25						
X.	±0.30	±0.35						
ANGLE	±2'							



SIM CARD DIMENSION

PIN ASSIGNMENTS

Connctor terminal NO.	Pin NO.
Pin 1	VCC: PWR signal and GND
Pin 2	RST: Reset signal
Pin 3	CLK: Clocking signal
Pin 4	Reserved
Pin 5	GND: PWR signal and GND
Pin 6	VPP: programming Voltage
Pin 7	I/O : serial date input/output
Pin 8	Reserved



SIM CARD 8P

⊕	DUMMY CARD	HIGH TEMP. PLASTIC	1 PCS	With or without
⊙	CD TERMINAL	COPPER ALLOY	1 PCS	
⊕	SLIDER	HIGH TEMP. PLASTIC	1 PCS	
⊕	HOOK	STAINLESS STEEL	1 PCS	
⊙	SPRING	SWP	1 PCS	
⊙	SHELL	STAINLESS STEEL	1 PCS	
⊕	TREMINAL	COPPER ALLOY	8 PIN	
⊕	HOUSING	HIGH TEMP. PLASTIC	1 PCS	
ITEM	PART NAME	MATERIAL	Q'TY	REMARK

GENERAL TOLERANCE			UNITS	NAME: PUSH PUSH TYPE SIM CARD		<b>ATOM</b> ® 深圳市爱特姆科技有限公司 SHENZHEN ATOM TECHNOLOGY CO., LTD.	
SELECT	✓		mm	PART NO: SI28C-01201		TITLE: SIM CARD 8P PUSH PUSH MOLDING TYPE (端子一体式)	
ON.	TOL.	1 2 3	MAT'L	APPD: JASON		DWG NO. ATOM-A04865	
X.XXX	±0.10	±0.05±0.15	FINISH	CHKD: JACK		SCALE SHEET REV	
X.XX	±0.15	±0.13±0.25	Q'TY	DR: Abel		1:1 2/2 A0	
X.X	±0.20	±0.25±0.5					
X.	±0.30	±0.35±1.00					
ANGLE	±2'						